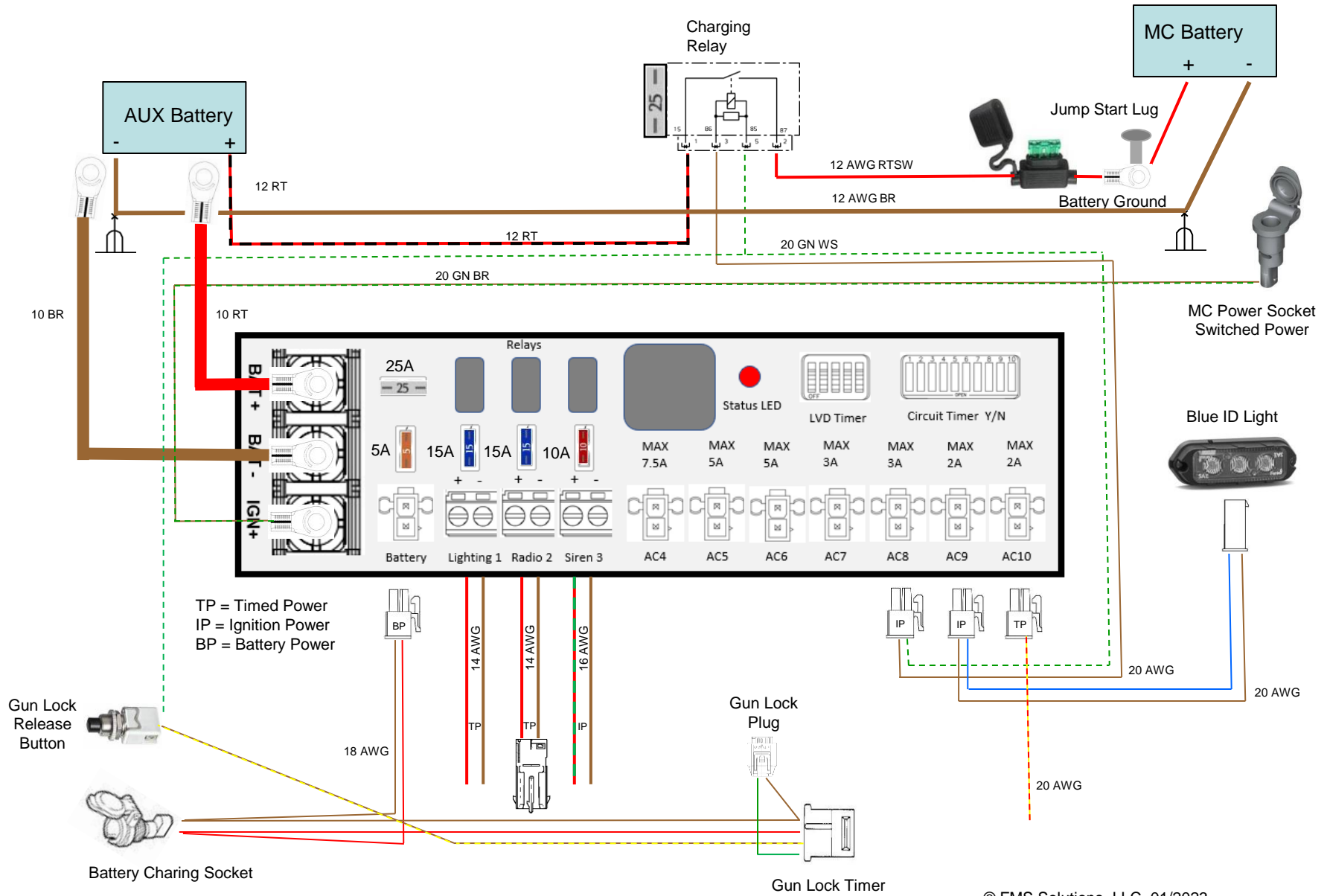


R 1250 GS-P Harness

MY 2023 Gen 3 forward

- Charging / Power Distribution
- LED Emergency Lighting System w/TDL
- Siren System Connections
- Handlebar Switches / Indicators / Voltmeter
- Accessory and Gun Lock Connections
- Main Harness Plug Connections
- Drilling Templates

R 1250 GS-P Harness CY 2023 forward Gen 3 Fuse / Power Management



- Color Coding:
- BL = blue
 - BR = brown
 - GE = yellow
 - GN = green
 - GR = gray
 - RT = red
 - OR = orange
 - SW = black
 - VI = violet
 - WS = white
 - TR = transparent

R 1250 GS-P Harness

MY 2023 GEN 3

LED Emergency Lights

FMS EL Flasher Module



RT SW
Lighting on Power Center

Dip Switches



- 1 CA Mode (LF Steady Burn / No Hyper-Yelp)
- 2 Alternate Light Activation Sequence
- 3 Not Yet Assigned
- 4 Not Yet Assigned



Pins 1-10 = Ground

- 14 WS GN SW
- 12 WS GN
- 11 WS VI
- 13 WS GE
- 15 WS GR
- 17 WS GR SW
- 18 WS OR SW
- 16 WS OR
- 19 GE SW
- 20 GE WS

Long

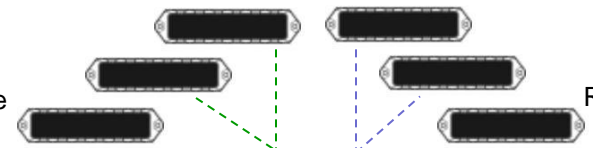
Short

LF Forward

RF Forward

LF Side

RF Side

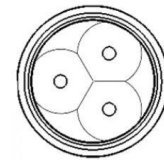
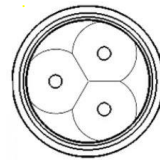


LR Side

RR Side



- 12 WS GR — R Indicator
- 8 WS SW — F Indicator
- 2 GN BL — TDL Button
- 7 BR GR GE — Cruise Light Button
- 1 OR SW — EL Button
- 3 OR — Siren Button
- 11 GR — Siren Wail
- 10 GR SW — Siren Yelp
- 9 GR GE — Siren Hyper-Yelp



LR Rear

RR Rear

Blue ID

GN GR
From ACC I Fuse

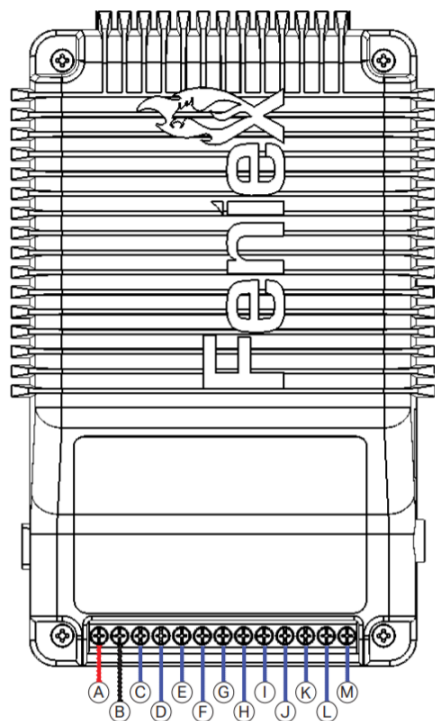
Color Coding:
 BL = blue
 BR = brown
 GE = yellow
 GN = green
 GR = gray
 RT = red
 OR = orange
 SW = black
 VI = violet
 WS = white
 TR = transparent

- 4 GR SW GE — Brake Light Input (not used)
- 5 GN VI — Ignition Power (not used)
- 6 BR — Ground (not used)

R 1250 GS-P Harness

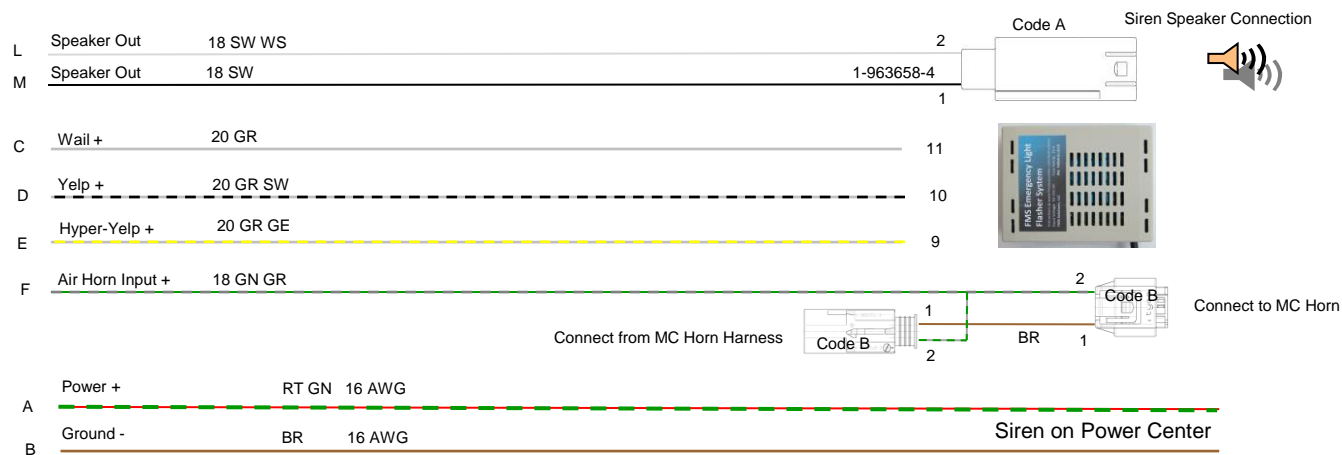
MY 2023 forward Gen 3

Feniex Siren Connections



Color Coding:

- BL = blue
- BR = brown
- GE = yellow
- GN = green
- GR = gray
- RT = red
- OR = orange
- SW = black
- VI = violet
- WS = white
- TR = transparent



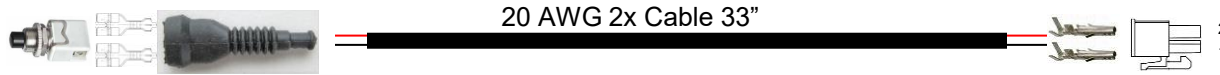
KEY	FUNCTION	POLARITY	CONNECTION
A	Positive	12v (+)	Positive Terminal
B	Ground	12v (-)	Ground Terminal
C	Tone 1	12v (+)	Latching Switch
D	Tone 2	12v (+)	Latching Switch
E	Tone 3	12v (+)	Latching Switch
F	Tone 4	12v (+)	Latching Switch
G	Horn Ring	12v (+)	Vehicle Horn Signal
H	Park Kill	12v (+)	Vehicle Park Signal
I	Rebroadcast	12v (+)	Latching Switch
J	Radio Input	N/A	Radio Speaker Output
K	Radio Input	N/A	Radio Speaker Output
L	100w Speaker	N/A	Speaker Terminal
M	100w Speaker	N/A	Speaker Terminal

R 1250 GS-P Harness

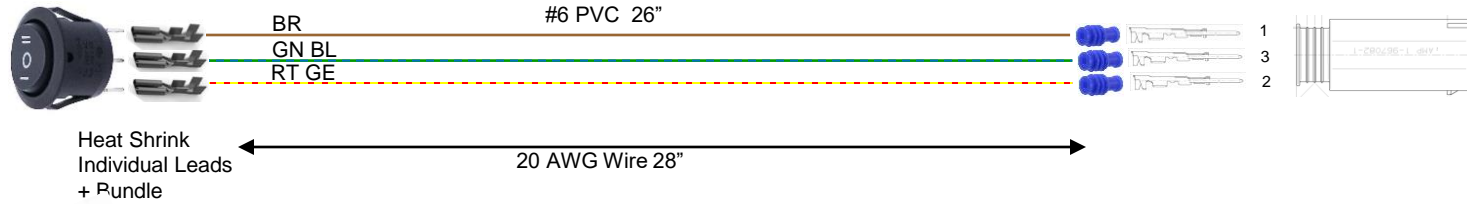
MY 2021 forward

Radio Speaker, Radar, Map Light and Gun Lock Connections

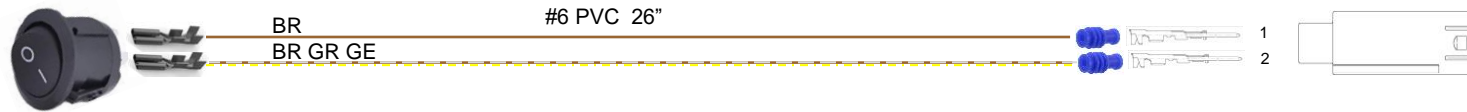
Siren / EL Push Button Harness



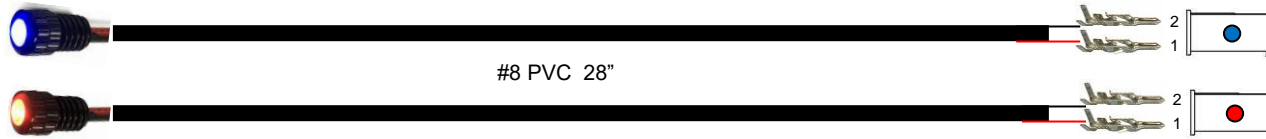
TDL Switch Harness



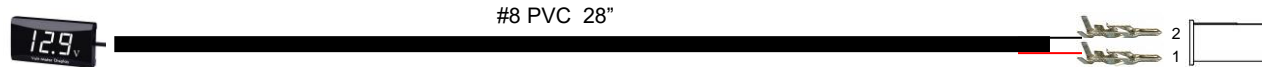
Cruise Switch Harness



LED Indicator Light Harness



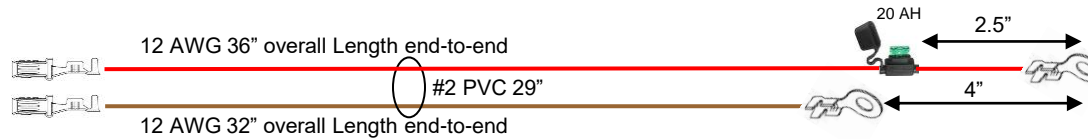
Voltmeter Harness



Color Coding:

- BL = blue
- BR = brown
- GE = yellow
- GN = green
- GR = gray
- RT = red
- OR = orange
- SW = black
- VI = violet
- WS = white
- TR = transparent

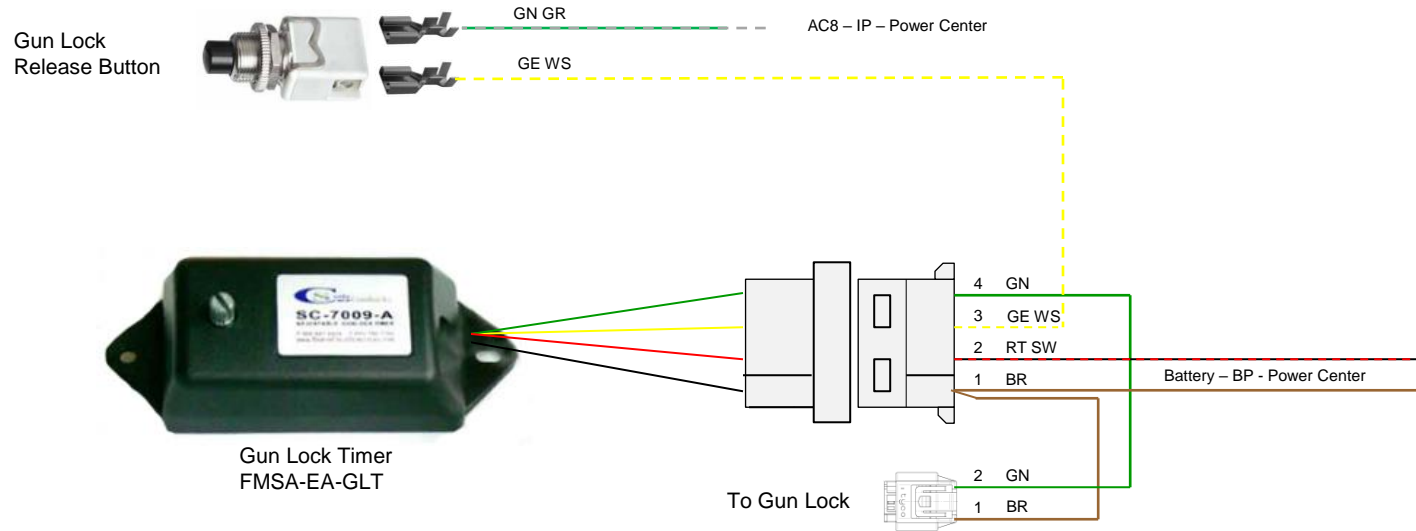
Power Charging Harness



R 1250 GS-P Harness

MY 2021 forward

Gun Lock / Accessory Connections



Color Coding:

- BL = blue
- BR = brown
- GE = yellow
- GN = green
- GR = gray
- RT = red
- OR = orange
- SW = black
- VI = violet
- WS = white
- TR = transparent

Color Coding:

- BL = blue
- BR = brown
- GE = yellow
- GN = green
- GR = gray
- RT = red
- OR = orange
- SW = black
- VI = violet
- WS = white
- TR = transparent

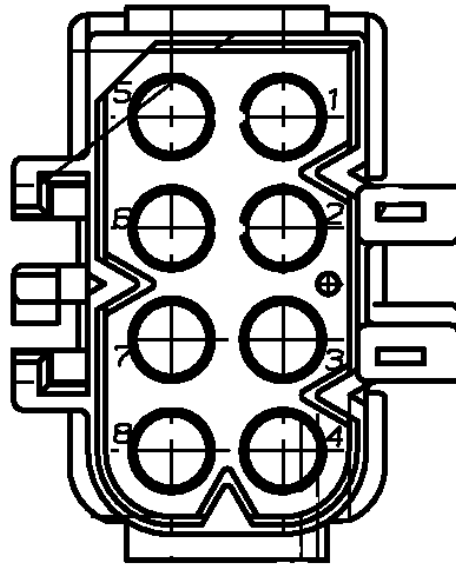
R 1250 GS-P Harness MY 2021 forward Harness Plug Layout

BR 12 AWG

Empty

SW 18 AWG

BR 16 AWG

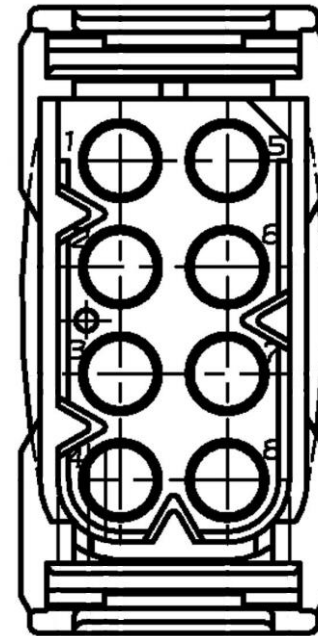


RT SW 12 AWG

GN BR 18 AWG

SW WS 18 AWG

Empty



BR 12 AWG

Empty

SW 18 AWG

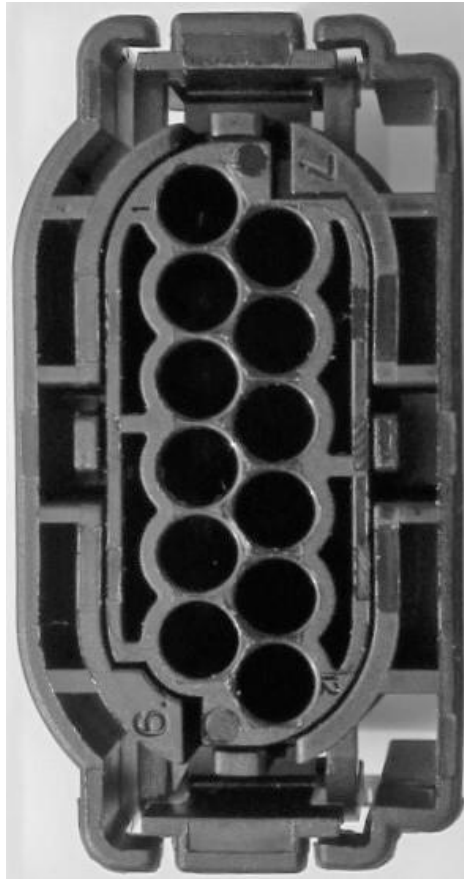
BR 16 AWG

Color Coding:

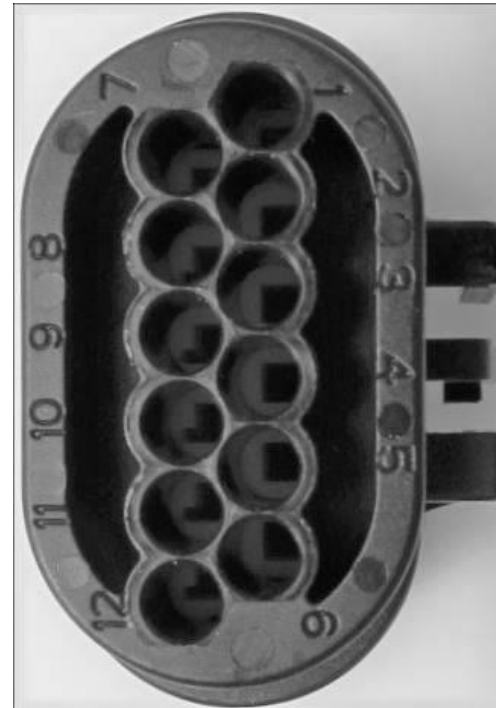
- BL = blue
- BR = brown
- GE = yellow
- GN = green
- GR = gray
- RT = red
- OR = orange
- SW = black
- VI = violet
- WS = white
- TR = transparent

R 1250 GS-P Harness MY 2021 forward Harness Plug Layout

- 1-WS VI
- 2-WS GN
- 3-WS GE
- 4-WS GR
- 5-WS GN SW
- 6-GN GR

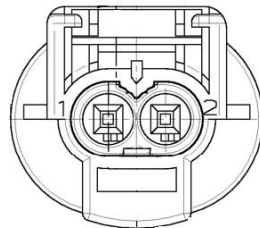


- 7-RT GE
- 8-GE SW
- 9-GE WS
- 10-OR
- 11-OR SW
- 12-GN BL



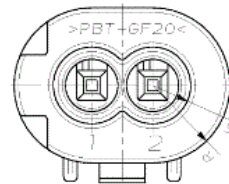
- 1-WS VI
- 2-WS GN
- 3-WS GE
- 4-WS GR
- 5-WS GN SW
- 6-GN GR

1-BR GR GE



2-WS SW

1-BR GR GE



2-WS SW

A

B

R 1250 GS-P
Jesse Pizza Box
Drilling Template
FMS-0063-006

LH

RH

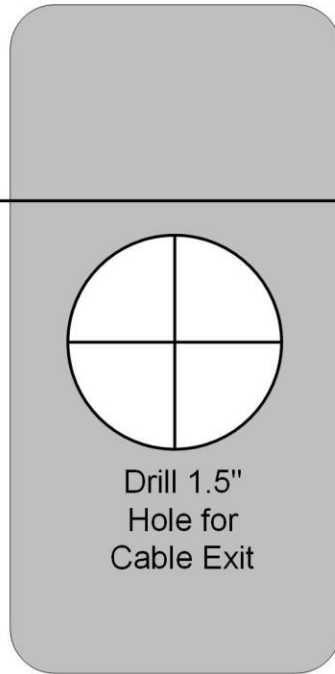
Measure
6.50" to
center line of
Box.



B



C



Drill 1.5"
Hole for
Cable Exit

06'6"

14'8"



B



B

R 1250 GS-P Rear Box
MY 2021 forward
Light Placement

